



SUBMITTAL DATA SHEET

Job Name:		Contractor:	
Location:		Distributor:	
Engineer:		Date:	
Submitted To:		Model No:	RK90LVP
Schedule ID:			

Radiant Air Specifications	RK90LVP
BTUH Heating @ 180°F E.W.T	90,830
BTUH Heating @ 160°F E.W.T	74,090
BTUH Heating @ 140°F E.W.T	57,400
BTUH Heating @ 120°F E.W.T	40,790
Piping Connections Copper (in)	3/4
DX Cooling Capacity (tons)	1.5 to 3.5 *
CFM @ 0.5" E.S.P.	1200
Supply Voltage	120/1/60
GPM Flow Rating	5
Cabinet Size W x D x H (in)	21 x 21 x 29
Supply Air Opening W x D (in)	18.8 x 17.8
Side Return Air Opening W x H (in)	18.3 x 14.3
Recommended Filter Size H x D (in)	16 x 20
Shipping Weight (lb)	95
Shipping Dimensions W x D x H (in)	22 x 24 x 30.5
HP (fan)	1/2
FLA (amps)	8.2
MCA (amps)	9.75
MOP (amps)	15

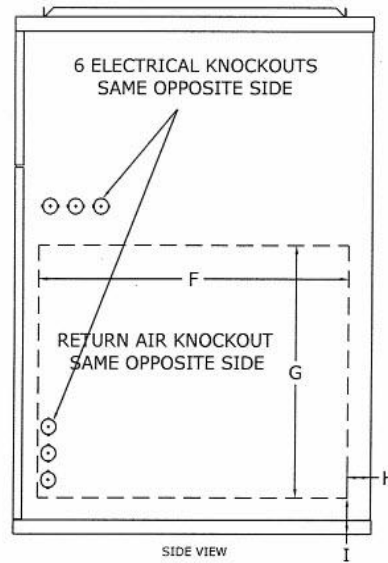
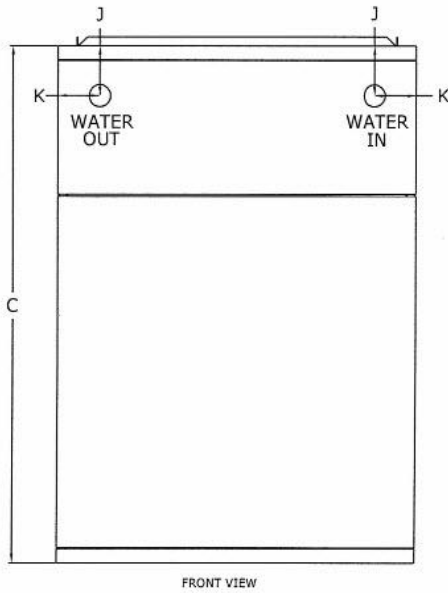
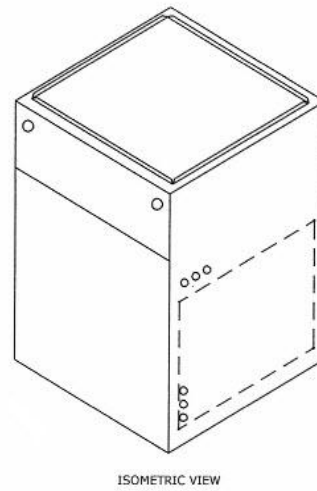
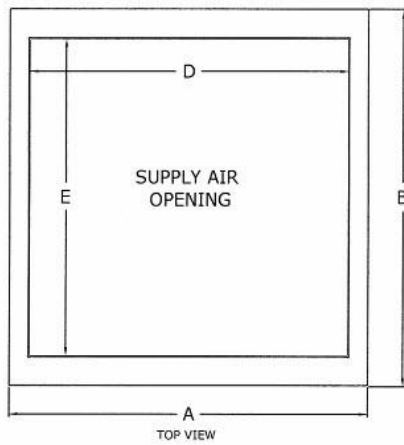
* Adjust cooling CFM to match condenser requirements

Features

High Efficiency Air Handler, Fully Modulating, 3 Stage or Single Stage Heating, Single or 2 Stage Cooling, Multi Position Installation, Hydronic Heating and DX cooling Applications, Variable Speed Constant CFM Blower, Independent Heating and Cooling CFM Adjustment, Low Continuous Fan, DHW Priority Option, Dry Contacts and Switched 24V, Front or Rear Piping Connections, Easy installation and Servicing, Bottom or Side Return, Compact Size, Comprehensive Warranty.



PHYSICAL DATA - INCHES											
Model	Overall Dimensions			Supply Opening		Side Return				Piping Location	
	W x D x H			W x D							
	A	B	C	D	E	F	G	H	I	J	K
RK50LVP	14	21	29	11.8	17.8	18.3	14.3	1.4	2	2.8	2.4
RK90LVP	21	21	29	18.8	17.8	18.3	14.3	1.4	2	2.8	2.4



RK50 Bottom Return Opening 12" x 18"
RK90 Bottom Return Opening 14 1/4" x 18 1/4"