



## SUBMITTAL DATA SHEET

Job Name:		Contractor:	
Location:		Distributor:	
Engineer:		Date:	
Submitted To:		Model No:	<b>RK90HVP</b>
Schedule ID:		No. of Outlets:	

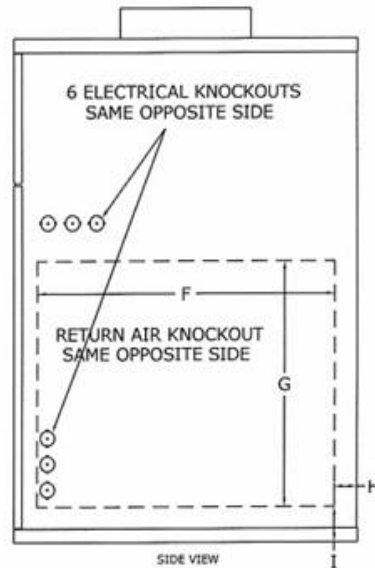
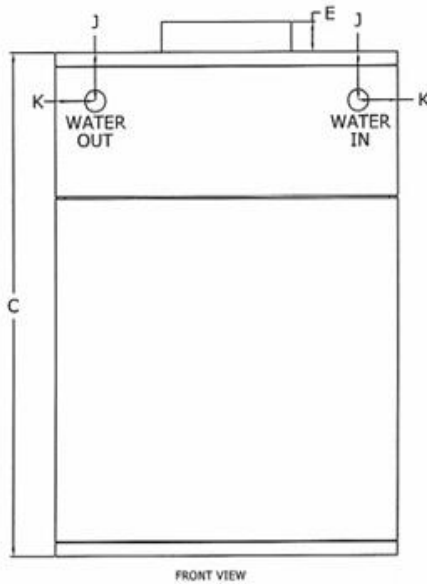
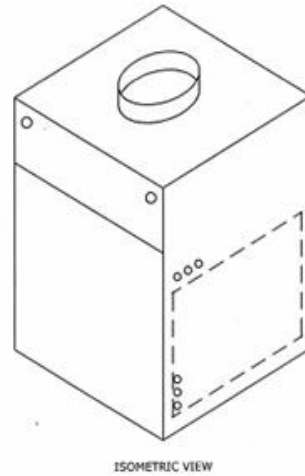
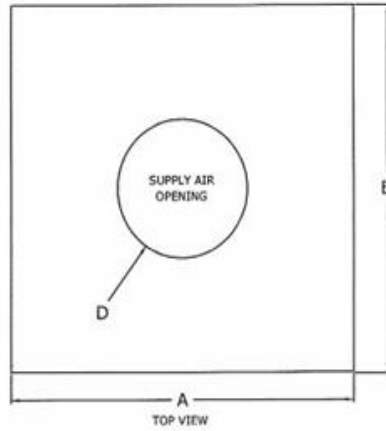
Radiant Air Specifications	RK90HVP
BTUH Heating @ 180°F E.W.T	79,800
BTUH Heating @ 170°F E.W.T	72,470
BTUH Heating @ 160°F E.W.T	65,145
BTUH Heating @ 150°F E.W.T	57,825
BTUH Heating @ 140°F E.W.T	50,525
BTUH Heating @ 130°F E.W.T	43,230
Piping Connections Copper (in)	3/4
DX Cooling Capacity (tons)	2 - 2.5
CFM @ 1.5" E.S.P.	750
Supply Voltage	120/1/60
GPM Flow Rating	7
Cabinet Size W x D x H (in)	21 x 21 x 29
Supply Air Opening D (in)	8
Side Return Air Opening W x H (in)	18.3 x 14.3
Recommended Filter Size H x D (in)	16 x 20
Shipping Weight (lb)	95
Shipping Dimensions W x D x H (in)	22 x 24 x 30.5
Minimum No. Outlets	14
Maximum No. Outlets	20
HP (fan)	3/4
FLA (amps)	10.8
MCA (amps)	13
MOP (amps)	20

### **Features**

High Efficiency Air Handler with Constant Pressure Technology (CPT), 3 Stage or Single Stage Heating, Single or 2 Stage Cooling, Multi Position Installation, Hydronic Heating and DX cooling Applications, Constant Torque ECM, Independent Heating and Cooling CFM Adjustment, Low Continuous Fan, DHW Priority Option, Dry Contacts and Switched 24V, Easy installation and Servicing, Bottom or Side Return, Compact Size, Front or Rear Piping Connections, Comprehensive Warranty.



PHYSICAL DATA - INCHES											
Model	Overall Dimensions			Supply Opening		Side Return				Piping Location	
	W x D x H			W x D		F	G	H	I	J	K
RK50HVP	14	21	29	8	1.8	18.3	14.3	1.4	2	2.8	2.4
RK90HVP	21	21	29	8	1.8	18.3	14.3	1.4	2	2.8	2.4
RK100HVP	21	21	29	10	1.8	18.3	14.3	1.4	2	2.8	2.4



**RK50 Bottom Return Opening 12" x 18"**  
**RK90 Bottom Return Opening 14 1/4" x 18 1/4"**