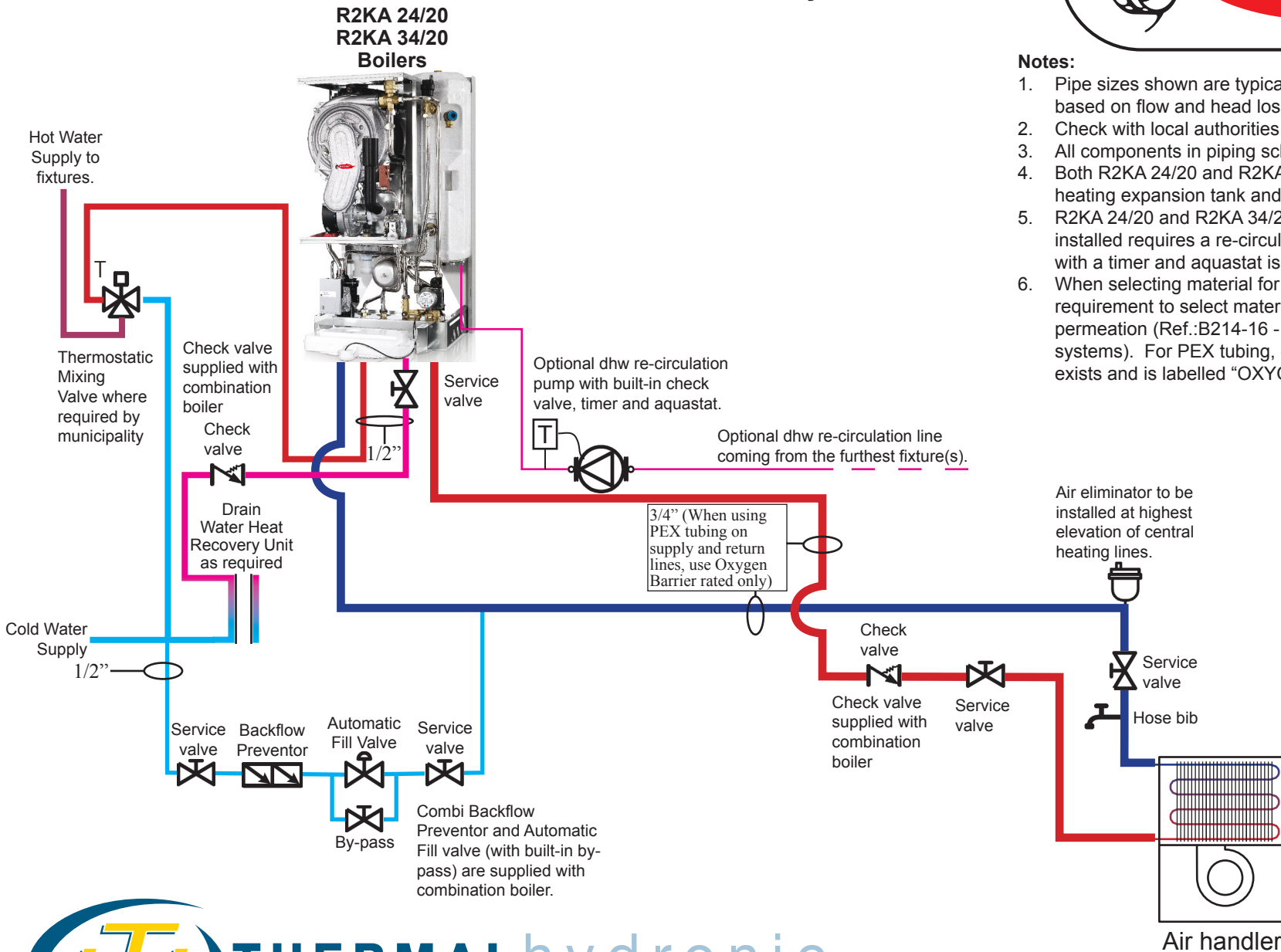


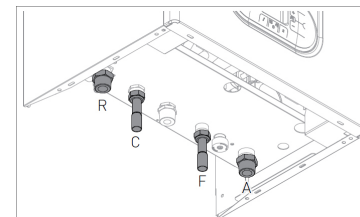
Typical piping installation for an air handler and domestic hot water for R2KA 24/20 and R2KA 34/20 Boilers with mixing valve, dhw re-circulation and drain water heat recovery unit.



Notes:

1. Pipe sizes shown are typical pipe sizes. Pipe sizes may change based on flow and head losses conditions.
2. Check with local authorities for any additional requirements.
3. All components in piping schematic are to be supplied by others.
4. Both R2KA 24/20 and R2KA 34/20 include an internal central heating expansion tank and thermal expansion tank.
5. R2KA 24/20 and R2KA 34/20 models with re-circulation line installed requires a re-circulation pump. A re-circulation pump with a timer and aquastat is preferred for lower energy costs.
6. When selecting material for closed central heating loop, it is a requirement to select material that reduces the effects of oxygen permeation (Ref.:B214-16 - Installation code for hydronic heating systems). For PEX tubing, ensure that an oxygen barrier coating exists and is labelled "OXYGEN BARRIER".

Water connection under R2KA models.



- R - CENTRAL HEATING RETURN Ø 3/4 NPT
- C - DOMESTIC HOT WATER OUTLET Ø 1/2 SWEAT
- F - COLD WATER INLET Ø 1/2 SWEAT
- A - CENTRAL HEATING SUPPLY Ø 3/4 NPT