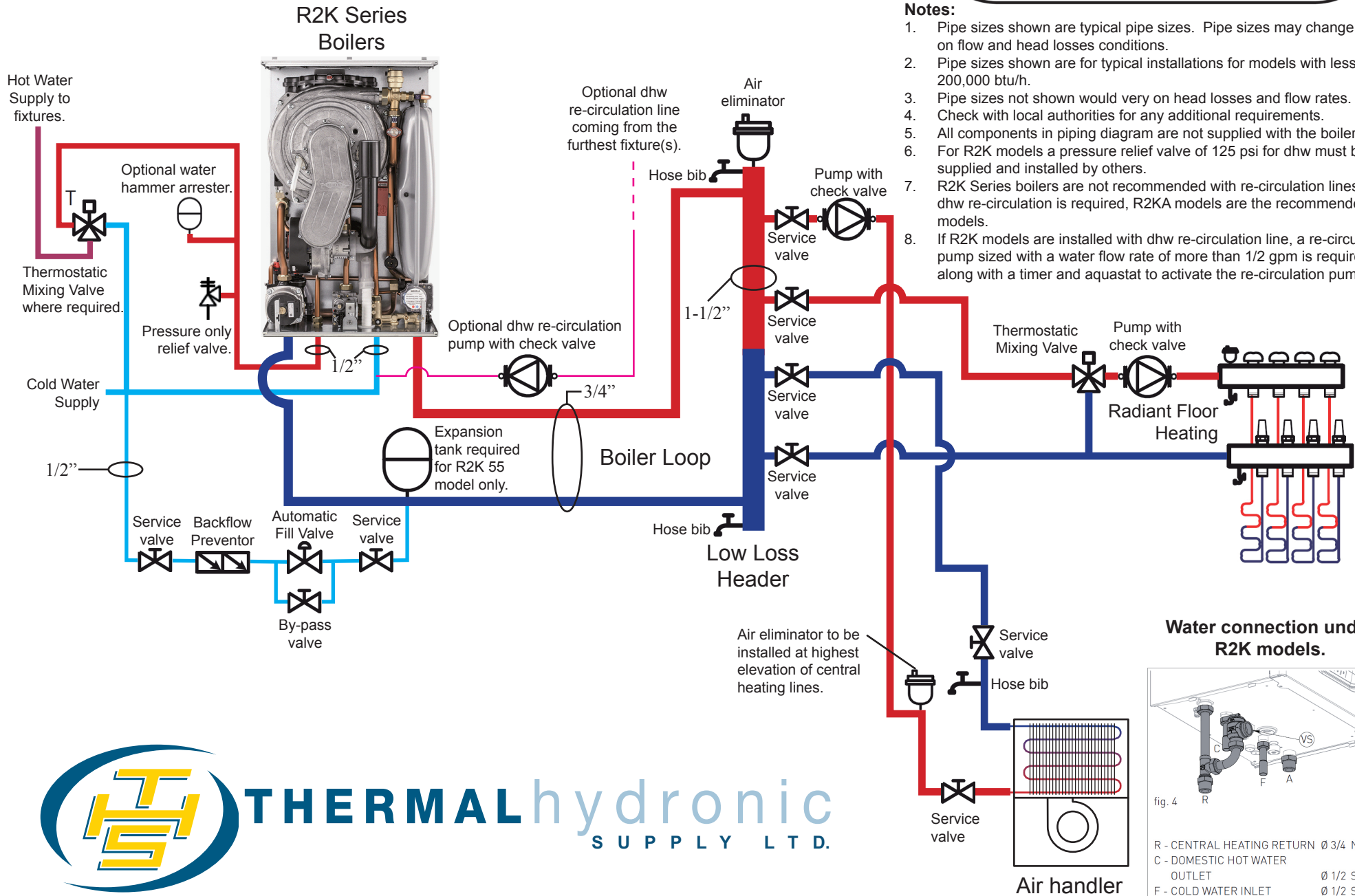


Typical installation for a two temperature central heating system and domestic hot water for R2K Series Boilers.



Notes:

1. Pipe sizes shown are typical pipe sizes. Pipe sizes may change based on flow and head losses conditions.
2. Pipe sizes shown are for typical installations for models with less than 200,000 btu/h.
3. Pipe sizes not shown would vary on head losses and flow rates.
4. Check with local authorities for any additional requirements.
5. All components in piping diagram are not supplied with the boiler.
6. For R2K models a pressure relief valve of 125 psi for dhw must be supplied and installed by others.
7. R2K Series boilers are not recommended with re-circulation lines. If dhw re-circulation is required, R2KA models are the recommended models.
8. If R2K models are installed with dhw re-circulation line, a re-circulation pump sized with a water flow rate of more than 1/2 gpm is required along with a timer and aquastat to activate the re-circulation pump.

Water connection under R2K models.

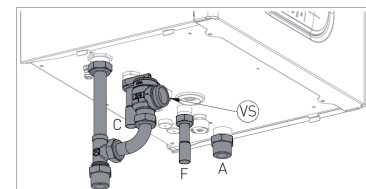


fig. 4

R - CENTRAL HEATING RETURN Ø 3/4" NPT
 C - DOMESTIC HOT WATER OUTLET Ø 1/2" SWEAT
 F - COLD WATER INLET Ø 1/2" SWEAT
 A - CENTRAL HEATING SUPPLY Ø 3/4" NPT

