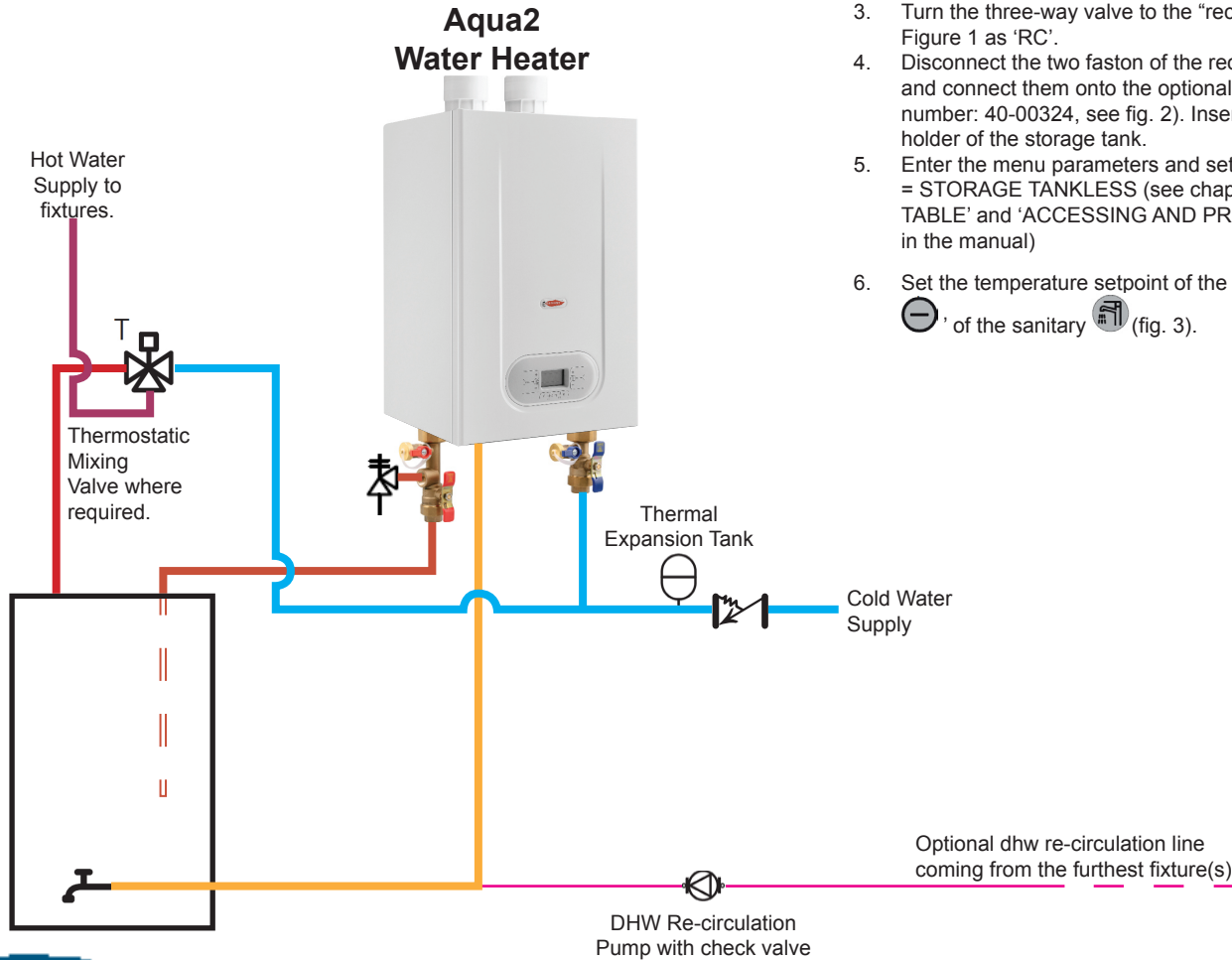


Typical water piping installation for Aqua² (SFK 55) hot water heater using a mixing valve and tankless water heater valve kit and a storage tank



Notes:

1. Check with local authorities for any additional requirements.
2. All components in piping diagram are not supplied with the water heater.
3. Turn the three-way valve to the "recirculation" position, as shown in Figure 1 as 'RC'.
4. Disconnect the two faston of the recirculation probe (see B-fig. 2), and connect them onto the optional probe meant for the storage (part number: 40-00324, see fig. 2). Insert this latter probe into the sensor-holder of the storage tank.
5. Enter the menu parameters and set the value of the parameter P02 to '1' = STORAGE TANKLESS (see chapters 'DIGITECH CS PARAMETERS TABLE' and 'ACCESSING AND PROGRAMMING THE PARAMETERS' in the manual)
6. Set the temperature setpoint of the D.H.W. tank by pressing '+' and '-' of the sanitary (fig. 3).

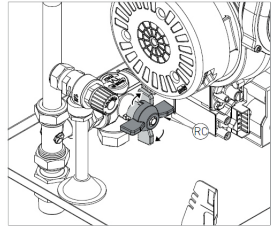


fig. 1

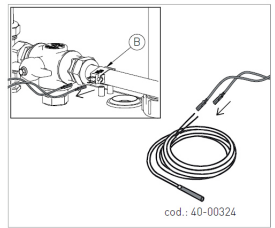


fig. 2

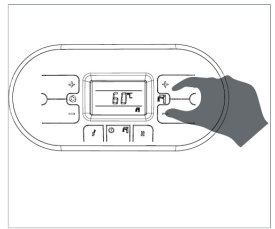
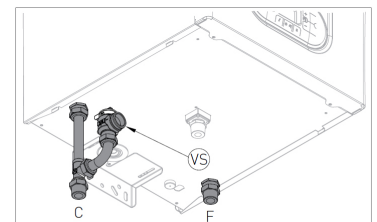


fig. 3

Water connection under SFK 55 models with



- C HOT WATER OUTLET Ø3/4" NPT
- F COLD WATER INLET Ø3/4" NPT

fig. 3

