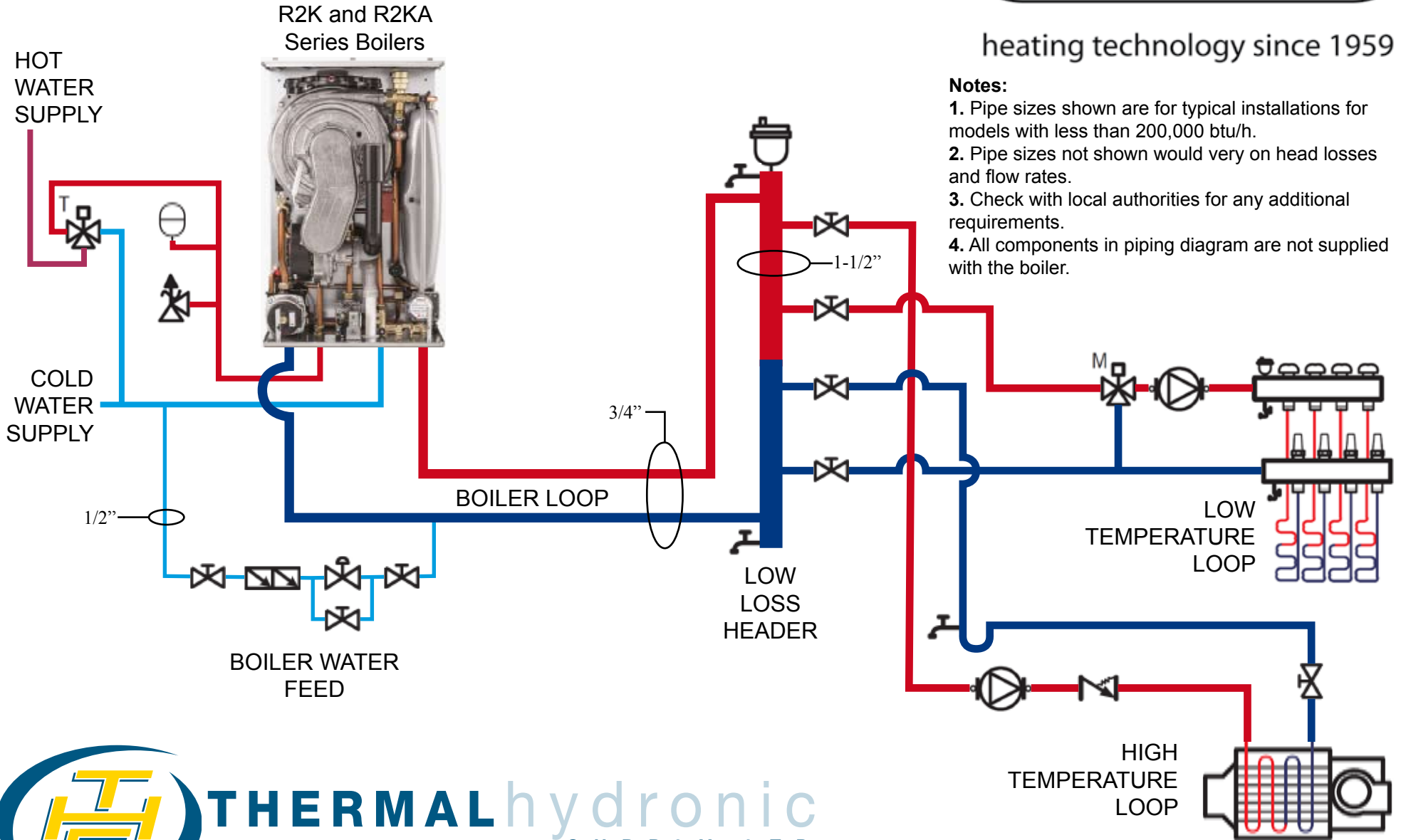


Typical installation for a two temperature central heating system and domestic hot water for R2K and R2KA Series Boilers.



heating technology since 1959



Notes:

1. Pipe sizes shown are for typical installations for models with less than 200,000 btu/h.
2. Pipe sizes not shown would vary on head losses and flow rates.
3. Check with local authorities for any additional requirements.
4. All components in piping diagram are not supplied with the boiler.

